



# DATASHEET

SANDER



v1.0

**Australis Engineering Pty Ltd**  
australiseng.com.au  
sales@australiseng.com.au  
+61 2 9707 5888

# 1. Datasheet

## 1.1. Sander

General Properties	Minimum	Typical	Maximum	Unit
Pad diameter	-	-	127 [5]	mm [inch]
Pad height	-	-	9.5 [0.37]	mm [inch]
Orbit size	-	-	5 [3/16]	mm [inch]
Rotation speed - RPM	1,000	-	10,000	RPM
Pad type (3M: 20353)	Clean Sanding Disc Pad			
Pad media type <sup>(1)</sup>	Hookit™			
Pad weight <sup>(1)</sup>	0.1 [0.22]			kg [lb]
Weight (with pad) <sup>(1)</sup>	1.2 [2.645]			kg [lb]
IP rating	IP54			
Dimensions (outer)	87 x 123 x 214 [3.42 x 4.84 x 8.42]			mm [inch]

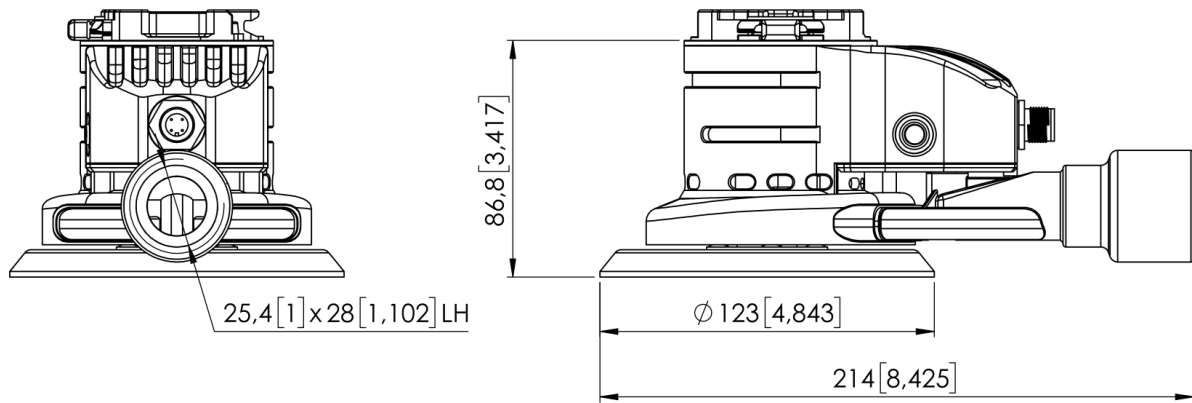
(1)

**WARNING:**

Using different pad weight may cause increased vibration. Increase the speed gradually upon pad replacement to ensure correct balancing.

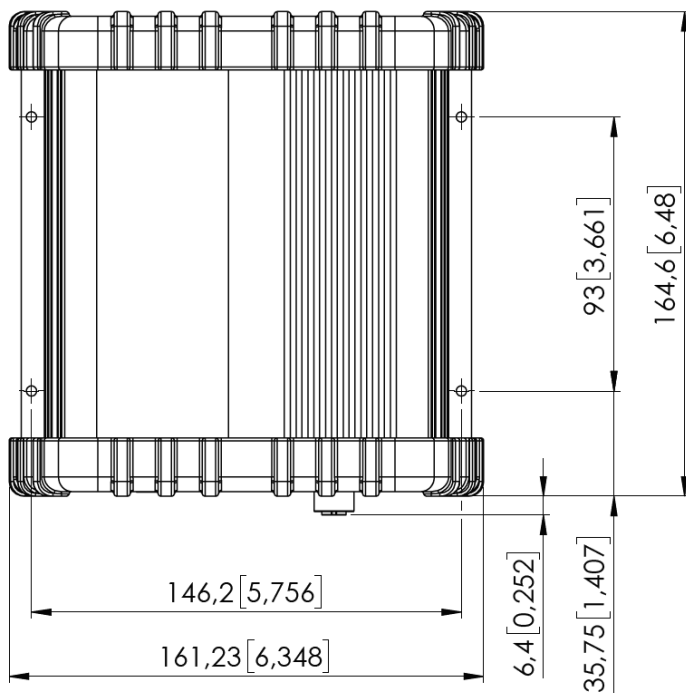
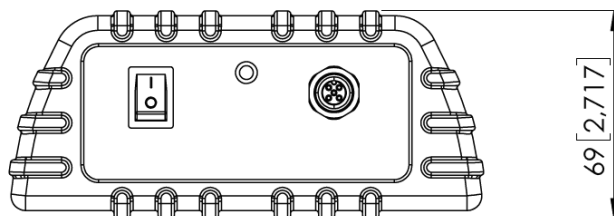
Operating Conditions	Minimum	Typical	Maximum	Unit
Sanding power	-	150	-	W
Operation voltage	External voltage	-	30	V
	External power	-	150	W
	Tool connector voltage	-	24	V
	Tool connector power	-	2.4	W
Operation temperature	0 [32]	-	50 [122]	°C [°F]
Noise level at 10,000 RPM (3,000 RPM)	-	74 (44)	-	[dB]

## 1.2. Sander



All dimensions are in mm and [inches].

## 1.3. Power Supply of the Sander



All dimensions are in mm and [inches].